

SCHEMI ELETTRICI - LEGENDA

- 1) COMPRESSORE

---

- 2) VENTILATORE CONDENSATORE

---

- 3) MORSETTIERA GENERALE

---

- 3A) MORSETTIERA AUSILIARIA

---

- 8) SPINA ELETTRICA

---

- 9) VENTILATORE EVAPORATORE

---

- 12) ELETTROVALVOLA DI SBRINAMENTO

---

- 20) RESISTENZA ANTICONDENSA PORTA

---

- 20A) RESISTENZA ANTICONDENSA VETRO LATERALE

---

- 20B) RESISTENZA ANTICONDENSA VETRO LATERALE

---

- 20C) RESISTENZA ANTICONDENSA VETRO POSTER.

---

- 20D) RESISTENZA ANTICONDENSA PROFILI

---

- 22) RESISTENZA BACINELLA

---

- 22A) RESISTENZA TUBO DI SCARICO

---

- 44) RELE' COMANDO COMPRESSORE

---

- 69) MORSETTO DI TERRA

---

- 76) MICROINTERRUPTORE MAGNETICO

---

- 120) SCHEDA ELETTRONICA VETRINA BT

---

- 121) ALIMENTATORE SWITCHING LED

---

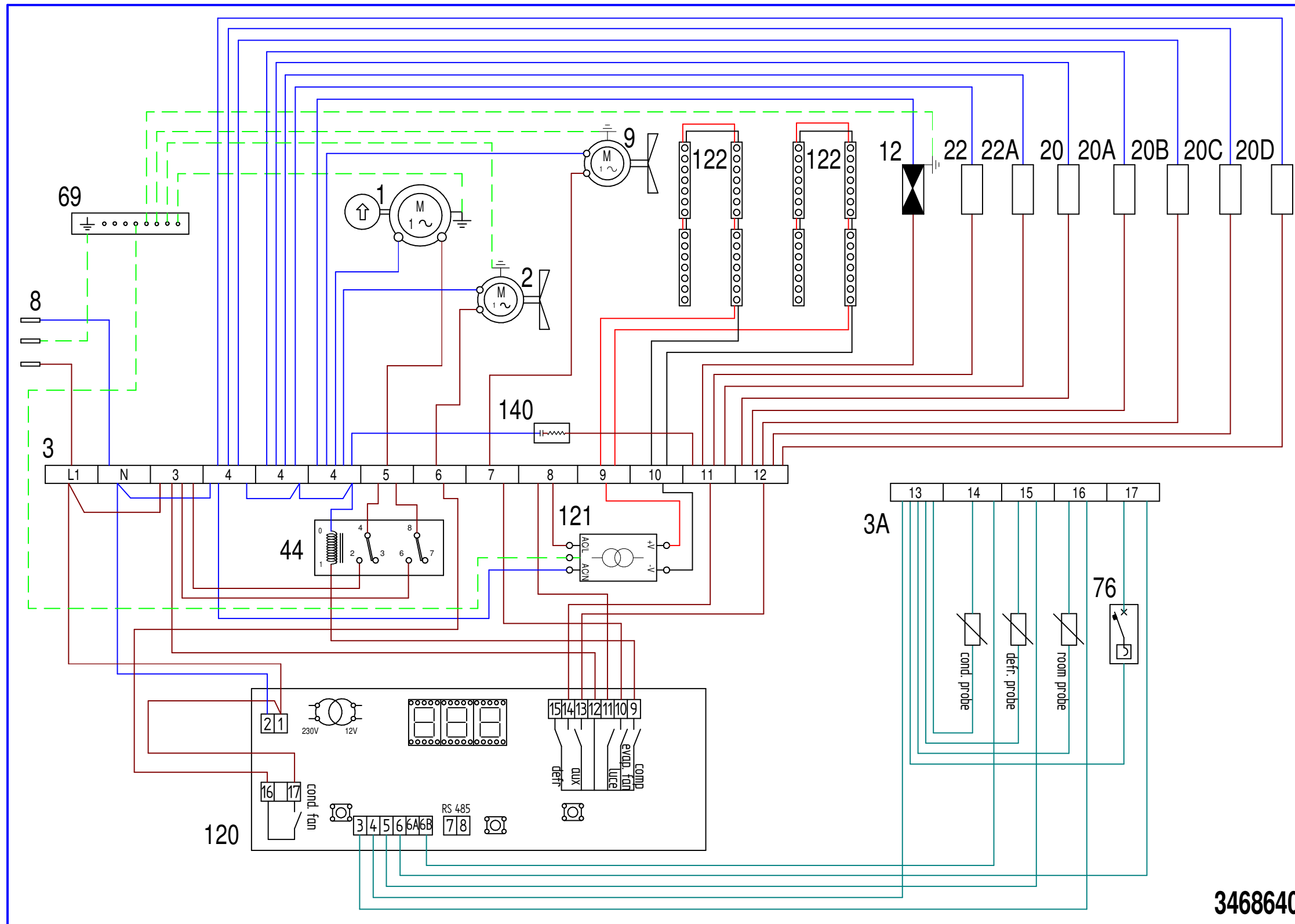
- 122) LAMPADE LED

---

- 140) FILTRO EMI RC ELETTROVALVOLA

KD8G

3468640



WIRE DIAGRAM - KEY

- 1) COMPRESSOR
- 2) CONDENSER FAN
- 3) TERMINAL BLOCK
- 3A) SIGNALS TERMINAL BLOCK
- 8) PLUG
- 9) EVAPORATOR FAN
- 12) DEFROST SOLENOID VALVE
- 20) DOOR ANTICONDENSING HEATER
- 20A) LATERAL GLASS ANTICONDENSING HEATER
- 20B) LATERAL GLASS ANTICONDENSING HEATER
- 20C) BACK GLASS ANTICONDENSING HEATER
- 20D) FRAMES ANTICONDENSING HEATER
- 22) CONDENSATE TRAY HEATER
- 22A) DRAINPIPE HEATER
- 44) COMPRESSOR CONTROL RELAY
- 69) EARTH TERMINAL
- 76) MAGNETIC DOOR MICROSWITCH
- 120) ELECTRONIC BOARD
- 121) LED SWITCHING POWER SUPPLY
- 122) BAR LED LAMP 12 V
- 140) DEFROST SOLENOID VALVE RC EMI FILTER

KD8G

3468640