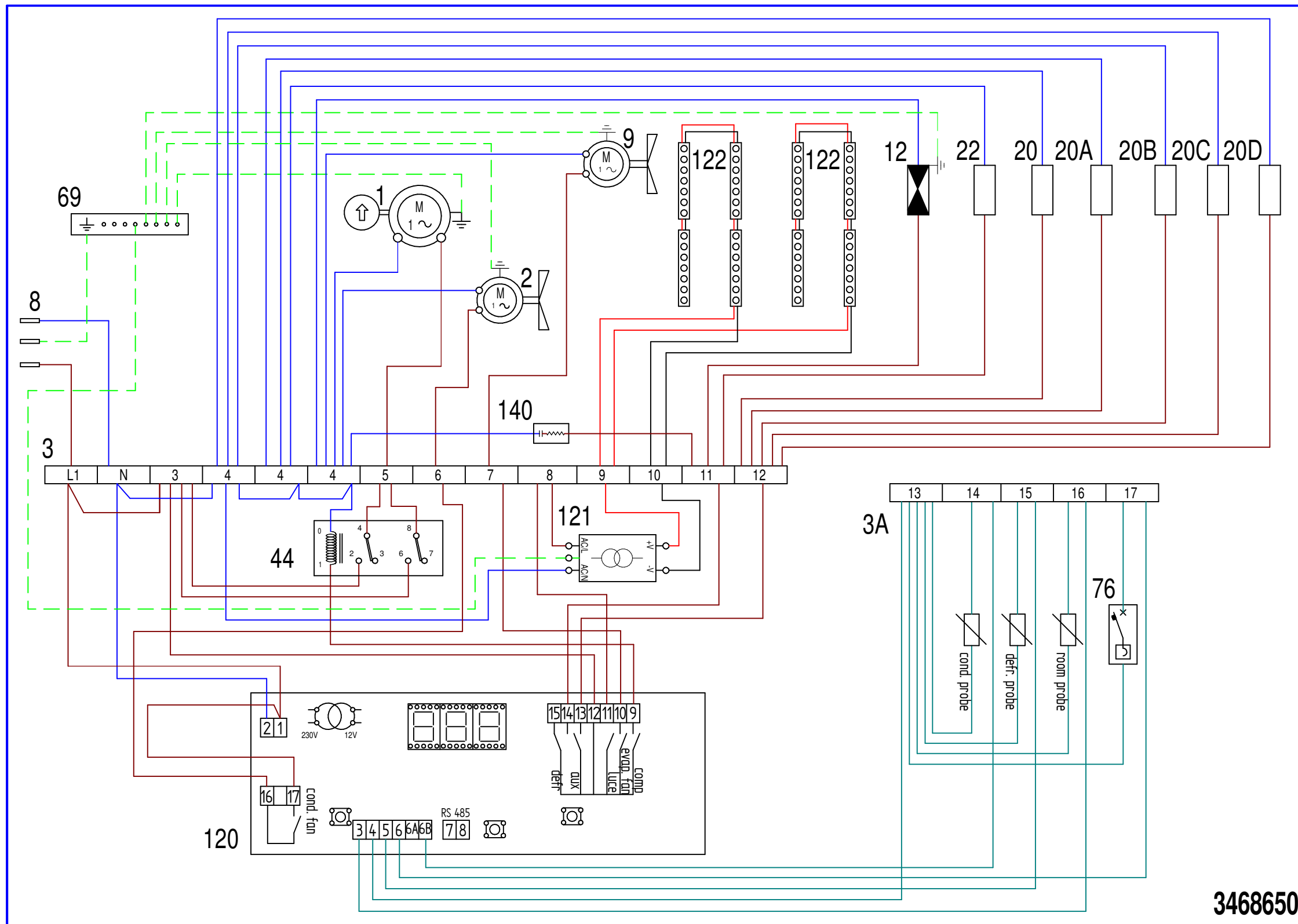


SCHEMA ELETTRICO - LEGENDA

- 1) COMPRESSORE
- 2) VENTILATORE CONDENSATORE
- 3) MORSETTIERA GENERALE
- 3A) MORSETTIERA AUSILIARIA
- 8) SPINA ELETTRICA
- 9) VENTILATORE EVAPORATORE
- 12) ELETTROVALVOLA DI SBRINAMENTO
- 20) RESISTENZA ANTICONDENSA PORTA
- 20A) RESISTENZA ANTICONDENSA VETRO LATERALE
- 20B) RESISTENZA ANTICONDENSA VETRO LATERALE
- 20C) RESISTENZA ANTICONDENSA VETRO POSTER.
- 20D) RESISTENZA ANTICONDENSA PROFILI
- 22) RESISTENZA BACINELLA
- 44) RELE' COMANDO COMPRESSORE
- 69) MORSETTO DI TERRA
- 76) MICROINTERRUTTORE MAGNETICO
- 120) SCHEDA ELETTRONICA VETRINA BT
- 121) ALIMENTATORE SWITCHING LED
- 122) LAMPADE LED
- 140) FILTRO EMI RC ELETTROVALVOLA

KD6G

3468650



- WIRE DIAGRAM - KEY**
- 
- 1) COMPRESSOR

---

  - 2) CONDENSER FAN

---

  - 3) TERMINAL BLOCK

---

  - 3A) SIGNALS TERMINAL BLOCK

---

  - 8) PLUG

---

  - 9) EVAPORATOR FAN

---

  - 12) DEFROST SOLENOID VALVE

---

  - 20) DOOR ANTICONDENSING HEATER

---

  - 20A) LATERAL GLASS ANTICONDENSING HEATER

---

  - 20B) LATERAL GLASS ANTICONDENSING HEATER

---

  - 20C) BACK GLASS ANTICONDENSING HEATER

---

  - 20D) FRAMES ANTICONDENSING HEATER

---

  - 22) CONDENSATE TRAY HEATER

---

  - 44) COMPRESSOR CONTROL RELAY

---

  - 69) EARTH TERMINAL

---

  - 76) MAGNETIC DOOR MICROSWITCH

---

  - 120) ELECTRONIC BOARD

---

  - 121) LED SWITCHING POWER SUPPLY

---

  - 122) BAR LED LAMP 12 V

---

  - 140) DEFROST SOLENOID VALVE RC EMI FILTER

---

**KD6G**

**3468650**