

KRPRV - KRPRVX

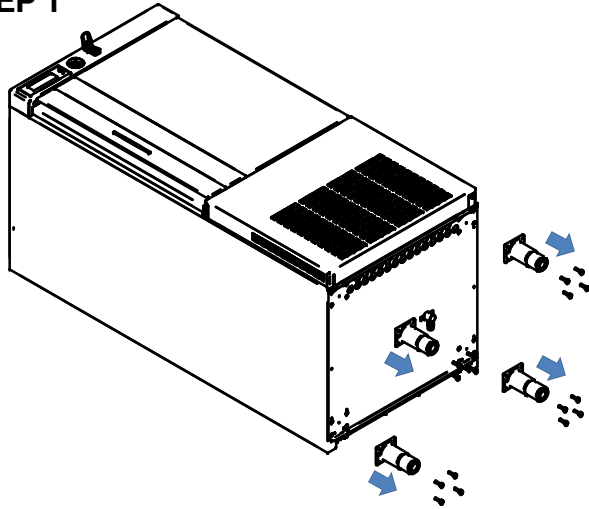
Montaggio - Installation - Einbau - Installation

BLAST CHILLERS/FREEZERS

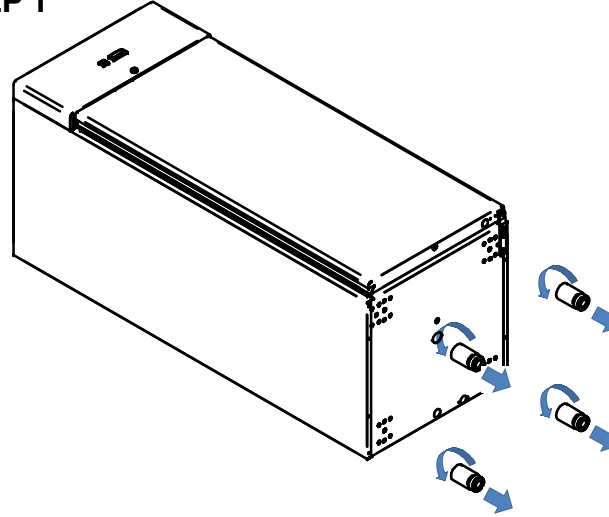
REFRIGERATORS

REFRIGERATED COUNTERS

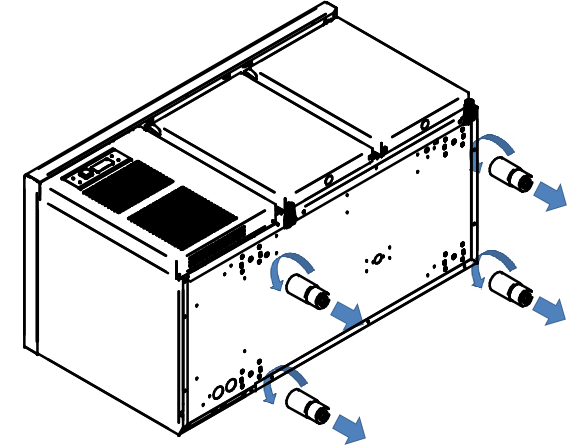
STEP 1



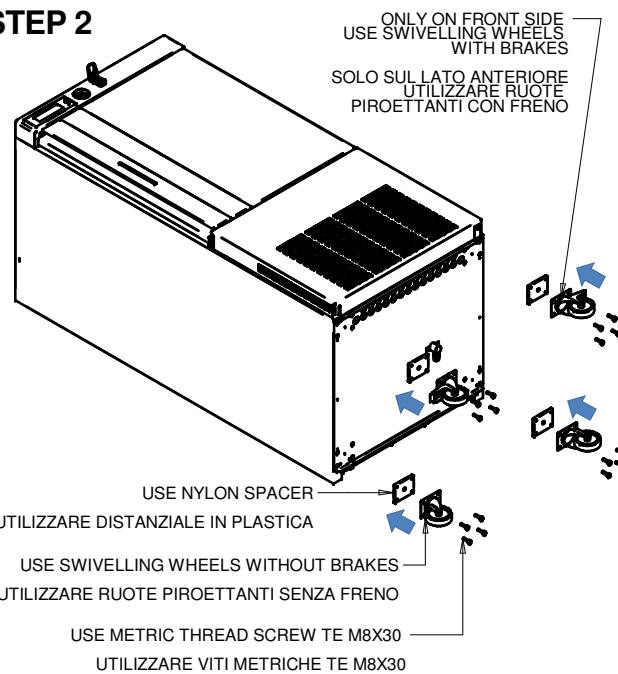
STEP 1



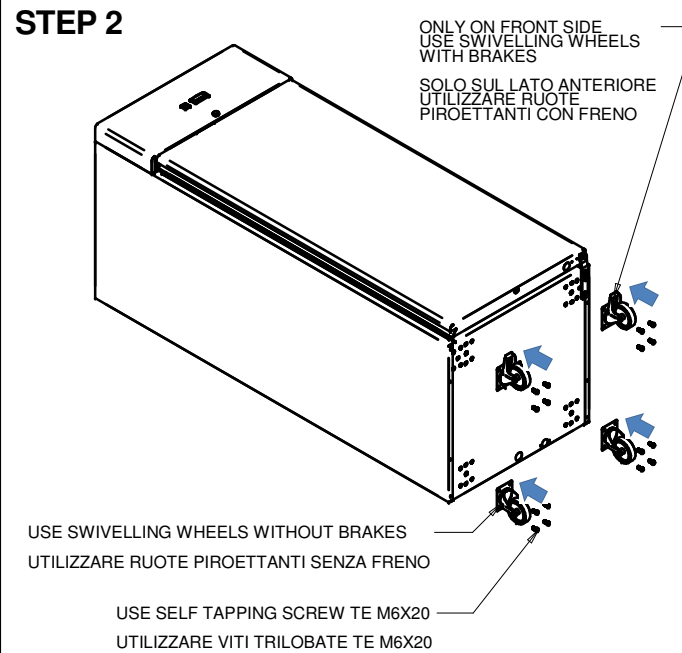
STEP 1



STEP 2



STEP 2



STEP 2

